



APPLY ONLINE AT WWW.CITYOFRC.US/ONLINEPERMITCENTER

SUBMIT ELECTRONIC PLANS ■ TRACK STATUS ■ REQUEST INSPECTION

REQUIREMENTS FOR SMOKE & CARBON MONOXIDE (CO) ALARMS IN SINGLE FAMILY RESIDENTIAL

SMOKE ALARM

Per **CRC 2019 Section R314.8.2**, when alterations, repairs, or additions occur requiring a permit which exceeds **\$1,000**, smoke alarms shall be provided. They may be battery operated per **§R314.6** in the following locations per **§R314.3**:

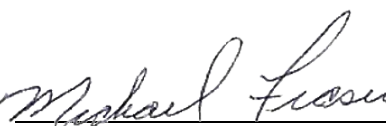
1. Inside each sleeping area.
2. Outside each separate sleeping area in the immediate vicinity of the bedrooms.
3. On each story within a dwelling unit, including basement.
4. Smoke alarms shall be installed with **36"** of the horizontal path from the supply registers of an FAU or cooling system and not in the direct path of airflow.
5. Smoke alarms shall not be installed within **36"** horizontal path from the fan tip of a ceiling fan.

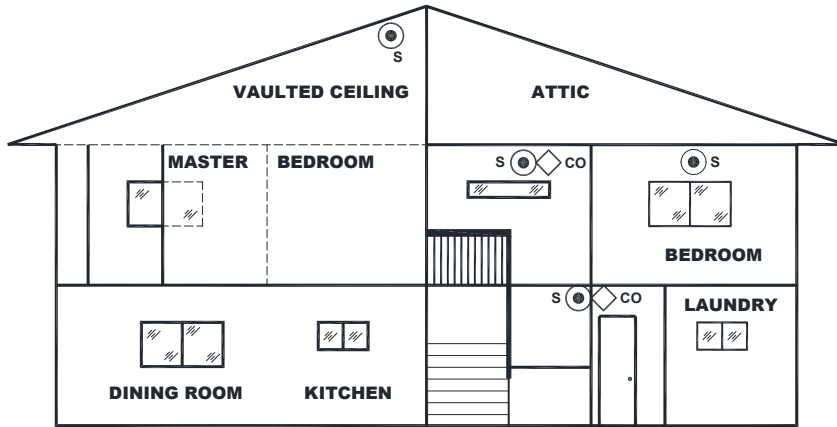
CARBON MONOXIDE ALARM

According to **CRC 2019 §R315.2.2**, all alterations, repairs or additions occur requiring a permit, not previously required to be provided with carbon monoxide alarms, new carbon monoxide alarms shall be installed. They may be battery operated per **§R315.6** in the following locations per **§R315.3**:

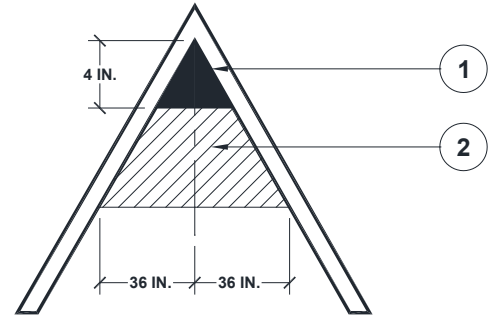
1. Outside of each separate dwelling unit sleeping area in the immediate vicinity of the bedroom(s).
2. On every level of a dwelling unit including basements.

Compliance with these requirements will be field verified prior to the final inspection of this building permit project.

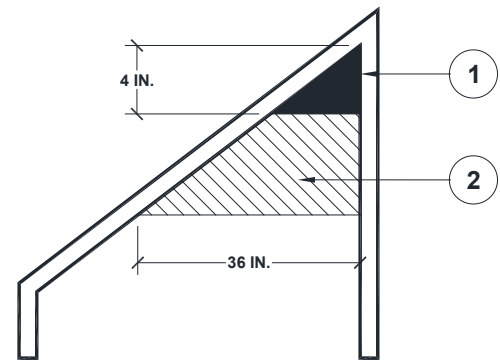
Approved by: 
Signature Michael Frasure, CBO
Building & Safety Services Manager



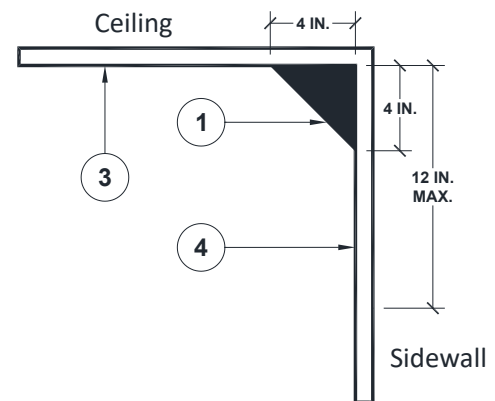
ELEVATION



MOUNTING FOR ALARMS WITH PEAKED CEILINGS

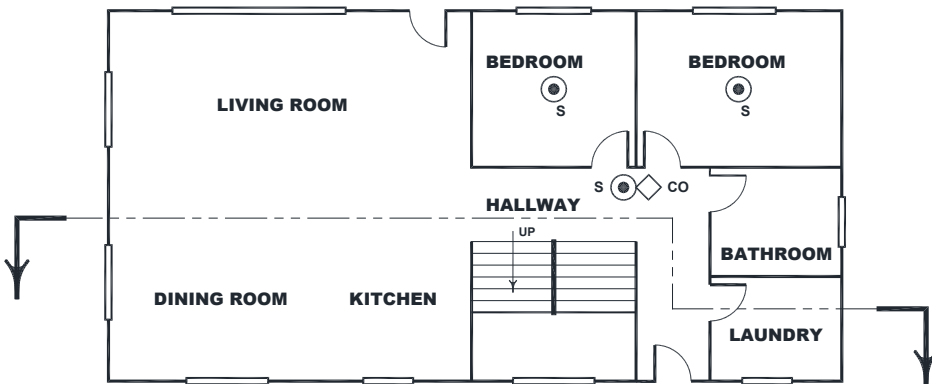


MOUNTING FOR ALARMS WITH SLOPED CEILINGS

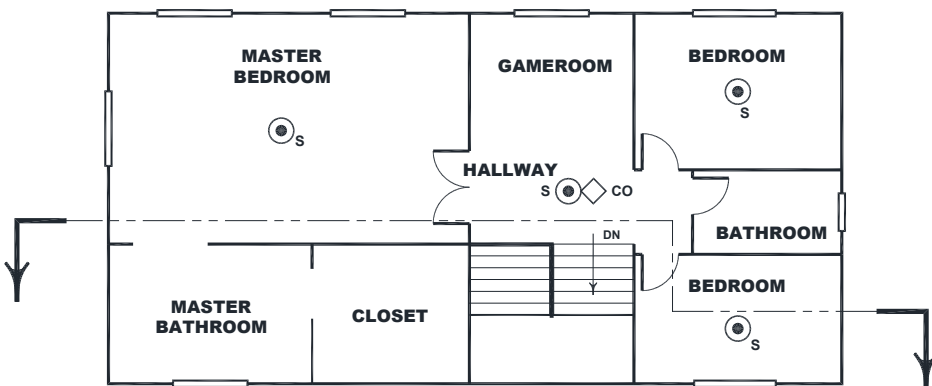


MOUNTING FOR ALARMS ON CEILING OR SIDEWALL *

- 1. Not in this area.
 - 2. Anywhere in this area
 - 3. Acceptable
 - 4. Top of alarm acceptable here
- * Measurements shown are to the closest edge of the alarm.



1ST FLOOR SITE PLAN



2ND FLOOR SITE PLAN

SMOKE & CO ALARM LEGEND

Smoke	Carbon Monoxide	Combination
-------	-----------------	-------------

NOTE

- 1. Use manufacture's manual for specific installation instructions.
- 2. Smoke & Carbon Monoxide Alarm shall be located on the basement ceiling near the entry to the stairs.