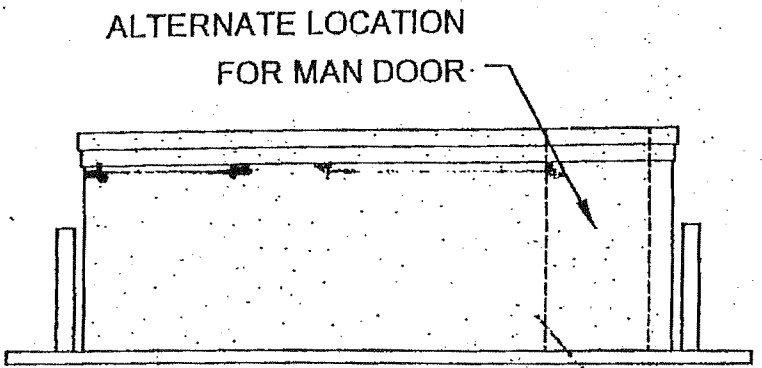
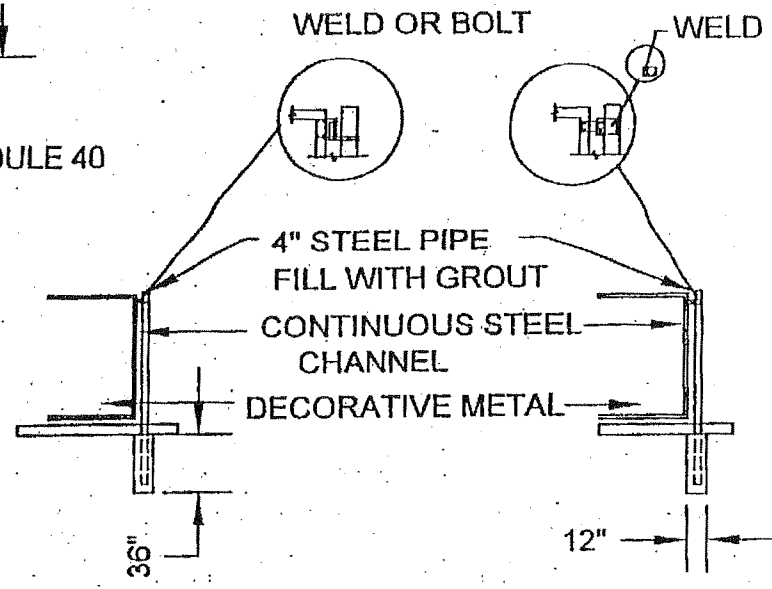


**FRONT ELEVATION**



**REAR ELEVATION**

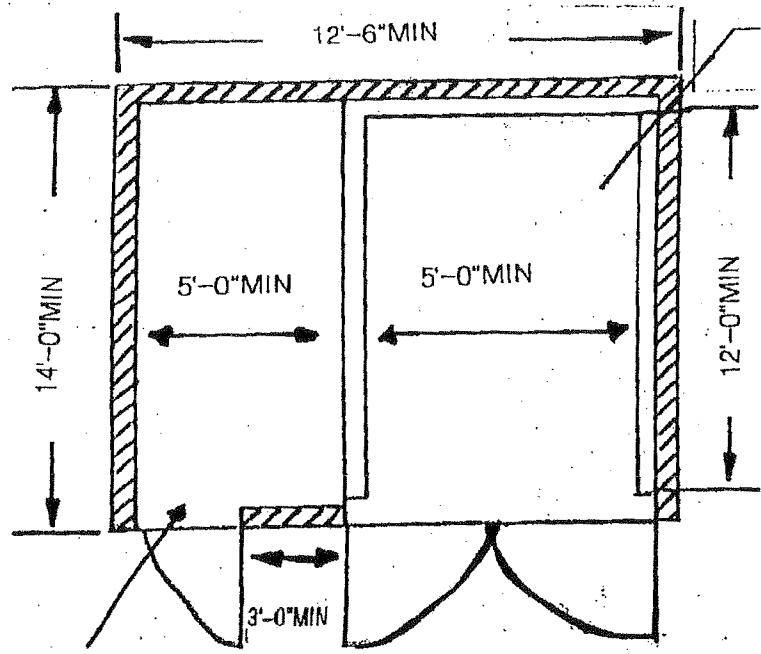


**GATE DETAILS**

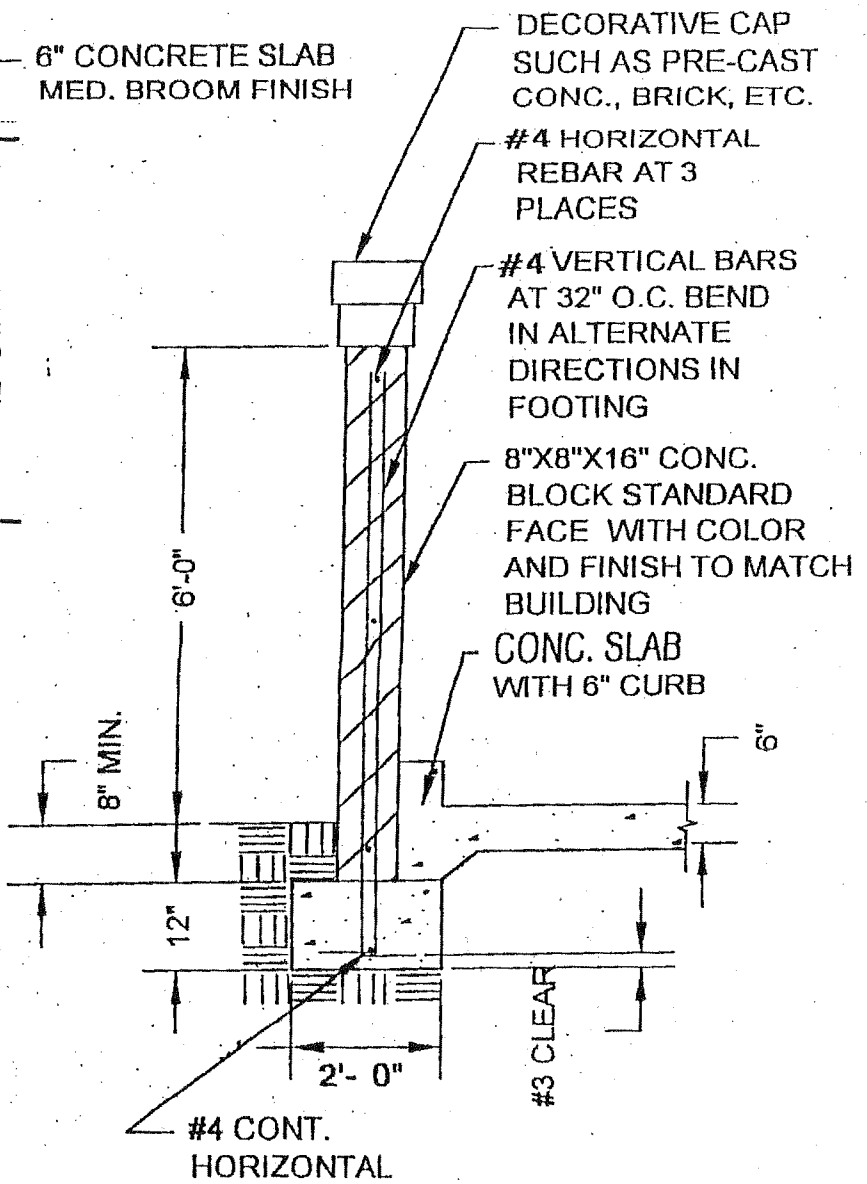
*James Trojer*  
PLANNING DIRECTOR

DATE: 2-5-08

**TRASH ENCLOSURE**  
**WITHOUT OVERHEAD STRUCTURES**  
**INDUSTRIAL**



**PLAN VIEW**



**WALL DETAIL**

**NOTES:**

1. Trash enclosures shall be located in area accessible to trash vehicles. The number and location of trash enclosures shall be subject to City Planner review and approval, prior to issuance of building permits.
2. The trash enclosures for industrial projects shall have the following design features: Architecturally integrated into the design of the project; separate pedestrian access; trash bins with counterweighted lids; and, solid view obstructing decorative gates placed on a continuous steel frame.

*James L. Taylor*  
PLANNING DIRECTOR

DATE: 2-5-09

**TRASH ENCLOSURE  
WITHOUT OVERHEAD STRUCTURES  
INDUSTRIAL**